



# Multimite® 79 Series

## 4- and 5-way Trunnion Valves

Multimite® 4-way, or dual switching valves allow two distinct flow paths to be used at the same time. The 5-way, or diverter valves offer the same functionality as 3-way valves except with four alternate paths.



### Typical Applications

#### 4-way valves

- Actuator cycling
- Pressure selecting and venting
- Alternate sampling and distribution

#### 5-way valves

- Sampling systems
- Distribution systems
- Instrument range selection

### Technical Data

<b>BODY MATERIAL*</b>	316 stainless steel, brass, Monel®
<b>OPERATING PRESSURE RANGE @ 70° F (21° C)</b>	TFE Seats Moderate vacuum** to 2000 psig (138 bar) Nylatron® Seats Moderate vacuum** to 6000 psig (414 bar)
<b>OPERATING TEMPERATURE RANGE</b>	• TFE seats: 0° F to +350° F (-18° C to +177° C) • Nylatron® seats: 0° to +250° F (-18° C to +121° C)
<b>ORIFICE SIZES</b>	• 4-way models: 0.166" (4.2mm) • 5-way models: 0.187" (4.7mm)
<b>Cv FACTORS</b>	0.47 to 0.66
<b>END CONNECTIONS</b>	¼" Gyrolok® ¼" female NPT

\* Consult factory for other materials

\*\* Moderate vacuum is 10<sup>-3</sup> to 20 torr

### Features & Benefits

- Blowout-proof stem for added safety
- Spring-loaded detent engages every 90° to indicate full port position, increasing operator confidence.
- Trunnion bearings eliminate galling, increasing valve life and reducing cost of ownership.
- A wide variety of HOKE Gyrolok® end fittings or pipe fittings provide the correct fitting option for the application.
- Special High Tolerance NPT Thread

ball valves

### HOKE Incorporated

405 Centura Court • PO Box 4866 (29305) • Spartanburg, SC 29303

Phone (864) 574-7966 Fax (864) 587-5608

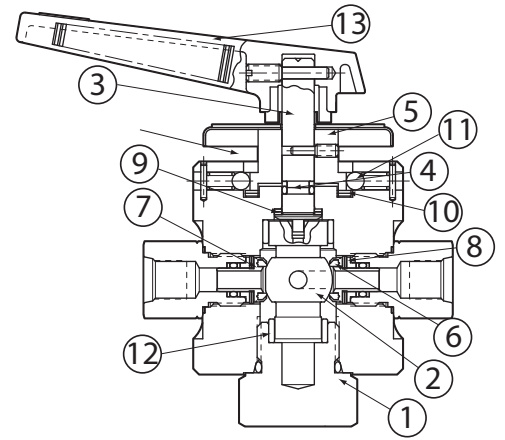
www.hoke.com • sales@hoke.com

# Multimite® 79 Series

## Materials of Construction

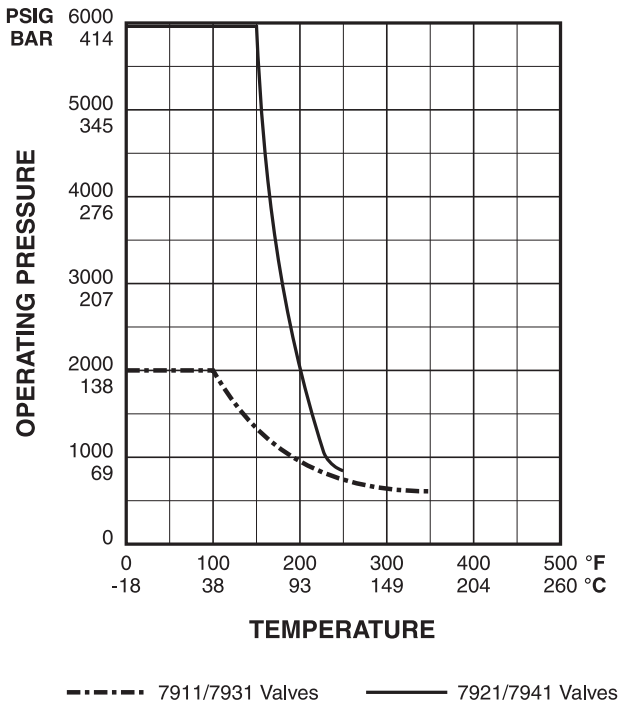
DESCRIPTION	2000 PSIG MODELS	6000 PSIG MODELS
1 Body	316 stainless steel	316 stainless steel
2 Trunnion	316 stainless steel	316 stainless steel
3 Stem	316 stainless steel	316 stainless steel
4 Stem packing†	Viton®	Viton®
5 Stem bushing	316 stainless steel	316 stainless steel
6 Seats	TFE	Nylatron®
7 Seat retainers	316 stainless steel	316 stainless steel
8 Seat washers†	Viton®	Viton®
9 Thrust washer	Rulon®	Nylatron®
10 Friction & wave washers	Nylon & 302 stainless steel	Nylon & 302 stainless steel
11 Spring & ball detent	302 stainless steel & 440 CSS	302 stainless steel & 440 CSS
12 Bearings	TFE	Nylon/TFE (fiberglass filament wound backing)
13 Handle	Nylon	Nylon

† Other elastomers are available upon request. Contact your local distributor.



Panel Mounting

## Pressure vs. Temperature Curve

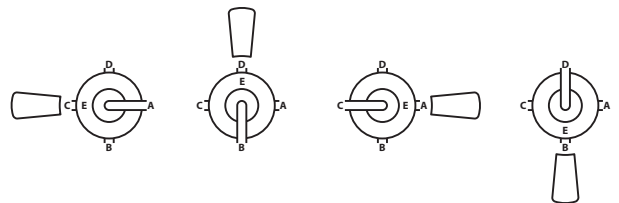
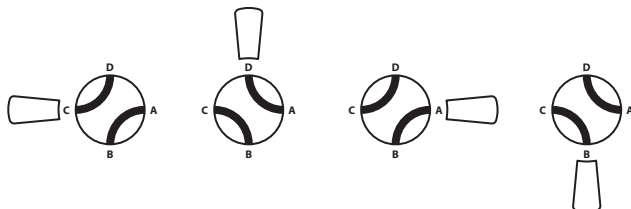


## Flow Diagrams 4-way & 5-way

### Flow Patterns

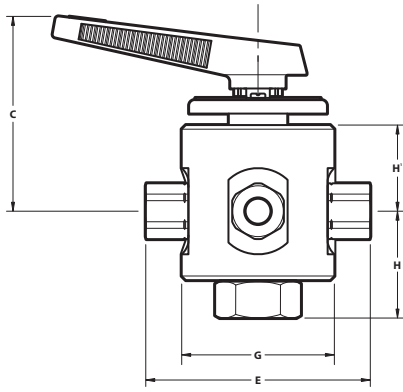
4-way models indicate ports connected

5-way models indicate side ports in use



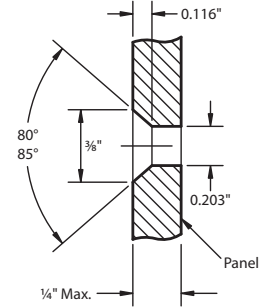
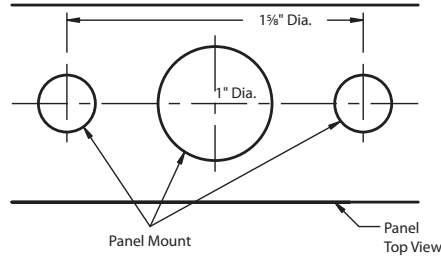
# Multimite® 79 Series

## Dimensions



END CONNECTIONS		C	E	G	H	H¹
¼" Gyrolok® for 4-way valves	inch	2⅞	3 <sup>29</sup> / <sub>32</sub>	2¼	1 <sup>9</sup> / <sub>16</sub>	1¼
	mm	73	99	57	40	32
¼" Gyrolok® for 5-way valves	inch	2⅞	3 <sup>29</sup> / <sub>32</sub>	2¼	2½	1¼
	mm	73	99	57	64	32
¼" female NPT (4- and 5-way)	inch	2⅞	3¼	2¼	1 <sup>9</sup> / <sub>16</sub>	1¼
	mm	73	83	57	40	32

## Panel Mounting Dimensions



Dimensions for reference only, subject to change.

## How to Order Standard Valves



7911G4Y



7931G4Y

### Multimite® 7911, 7921 Series 4-way Models

END CONNECTIONS	ORDER BY PART NUMBER			
	2000 PSIG @ 350° F (138 BAR/177° C)		6000 PSIG @ 250° F (414 BAR/121° C)	
	TFE SEATS	NYLATRON® SEATS	ORIFICE	Cv
¼" Gyrolok®	7911G4Y	7921G4Y	0.166" (4.2mm)	0.47
¼" female NPT	7911F4Y	7921F4Y	0.166" (4.2mm)	0.54

### Multimite® 7931, 7941 Series 5-way Models

END CONNECTIONS	ORDER BY PART NUMBER			
	2000 PSIG @ 350° F (138 BAR/177° C)		6000 PSIG @ 250° F (414 BAR/121° C)	
	TFE SEATS	NYLATRON® SEATS	ORIFICE	Cv
¼" Gyrolok®	7931G4Y	7941G4Y	0.187" (4.7mm)	0.51
¼" female NPT	7931F4Y	7941F4Y	0.187" (4.7mm)	0.66

## Ordering Options



### Electric Actuators

For remote control of Multimite® 79 Series valves, order an electric actuator. Electric actuators are supplied in either 115 VAC or 24 VDC with weatherproof or explosion-proof housings. Refer to HOKE's *Actuator Catalog* (79005) or contact your local factory-authorized distributor for more details.

### Spare Parts

Spare parts and repair kits are available for all ball valves. Please contact your distributor for specific information.

### Cleaning and Testing

When ordering, please specify if oxygen cleaning or helium leak testing is required.

### Additional Sizes

Additional sizes and options are available on special request. Please consult your local HOKE distributor.

## ***For Your Safety***

---

It is solely the responsibility of the system designer and user to select products suitable for their specific application requirements and to ensure proper installation, operation, and maintenance of these products. Material compatibility, product ratings and application details should be considered in the selection. Improper selection or use of products described herein can cause personal injury or property damage.

*VCR® is a registered trademark of Cajon Co.*

*Dow Corning® is a registered trademark of Dow Corning Corporation*

*Nylatron® is a registered trademark of DSM Engineering Plastic Products*

*Teflon® is a registered trademark of the DuPont Company*

*Kalrez® and Viton® are registered trademarks of DuPont DOW Elastomers*

*Dyneon™ is a trademark of Dyneon*

*Elgiloy® is a registered trademark of Elgiloy Specialty Metals*

*Gyrolok®, Dyna-Pak®, Rotoball®, Flomite®, Selectomite®, and Multimite® are registered trademarks of HOKE, Inc.*

*Space Savers™, Ultramite™, and Vaculok™ are trademarks of HOKE, Inc.*

*Rulon® is a registered trademark of Saint-Gobain Corporation*

*Monel® and Inconel® are registered trademarks of Special Metals Corporation*

*Grafoil® is a registered trademark of Graf Tech International Ltd.*

*PEEK™ is a trademark of Victrex PLC*

[www.dowcorning.com](http://www.dowcorning.com)

[www.dsm.com](http://www.dsm.com)

[www.dupont-dow.com](http://www.dupont-dow.com)

[www.3m.com](http://www.3m.com)

[www.elgiloy.com](http://www.elgiloy.com)

[www.hoke.com](http://www.hoke.com)

[www.hoke.com](http://www.hoke.com)

[www.saint-gobain.com](http://www.saint-gobain.com)

[www.specialmetals.com](http://www.specialmetals.com)

[www.graftech.com](http://www.graftech.com)

[www.victrex.com](http://www.victrex.com)