



## Spun Sampling Cylinders



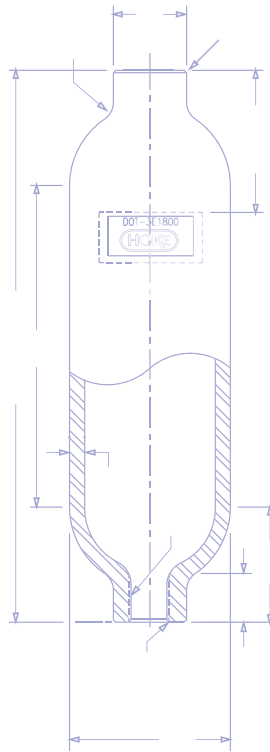
*spun sampling cylinders*

**HOKE Incorporated**  
405 Centura Court • PO Box 4866 (29305) • Spartanburg, SC 29303  
Phone (864) 574-7966 Fax (864) 587-5608  
[www.hoke.com](http://www.hoke.com) • [sales@hoke.com](mailto:sales@hoke.com)



# Spun Sampling Cylinders

316 Stainless Steel DOT Series



spun sampling cylinders

## Typical Applications

- Sampling hydrocarbons in refineries and petrochemical plants
- Gas sampling for chromatographic analysis
- Snubbers in reactor feed lines
- Surge accumulators in high pressure gas systems
- High vacuum systems as experimental chambers and molecular sieves
- Chemical reaction vessels

## Features & Benefits

- Manufactured and tested to DOT 3E or 3A requirements
- Each cylinder is identified with the Hoke logo
- Cylinders are rated to 1800 psi
- Choice of 7 capacities, ranging from 75 cc to 3785 cc (1 gallon)
- Cylinder heads are formed by utilizing spinning process for consistent strength, size and dimensions.
- All interior surfaces are sandblasted for a clean, even surface.
- Neck ring and cap standard on 2250 cc and 3750 cc.
- Thread ends per ANSI B1.20.1
- All cylinders are hydrostatically proof-tested at 3000 psig (206 BAR).
- 150cc, 300cc, 500cc and 1000cc sizes are available as TPED - Approved
- Special High Tolerance NPT Thread

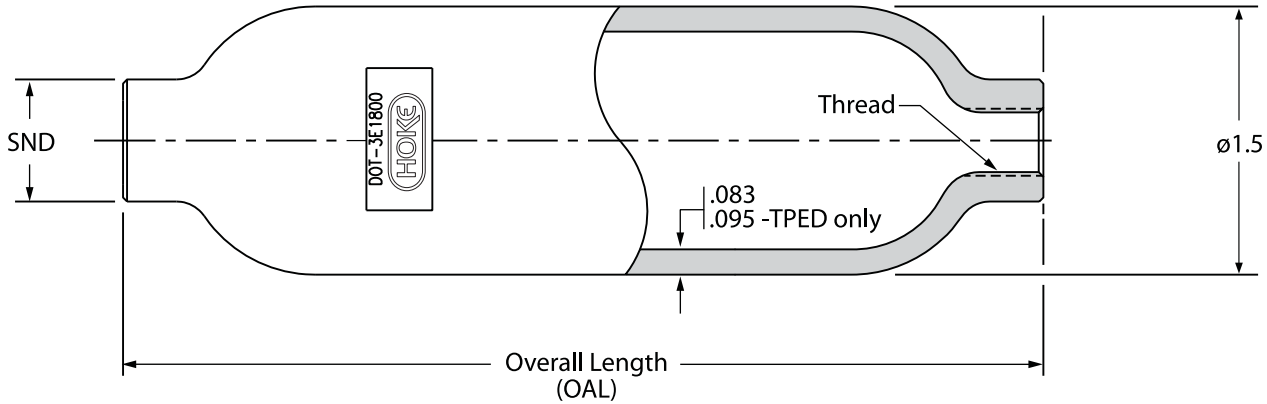
## HOKE Incorporated

405 Centura Court • PO Box 4866 (29305) • Spartanburg, SC 29303  
Phone (864) 574-7966 Fax (864) 587-5608  
www.hoke.com • sales@hoke.com

# Spun Sampling Cylinders

## Dimensions

### HOKE DOT 3E Sample Cylinder, 1.5" (3.81 cm)



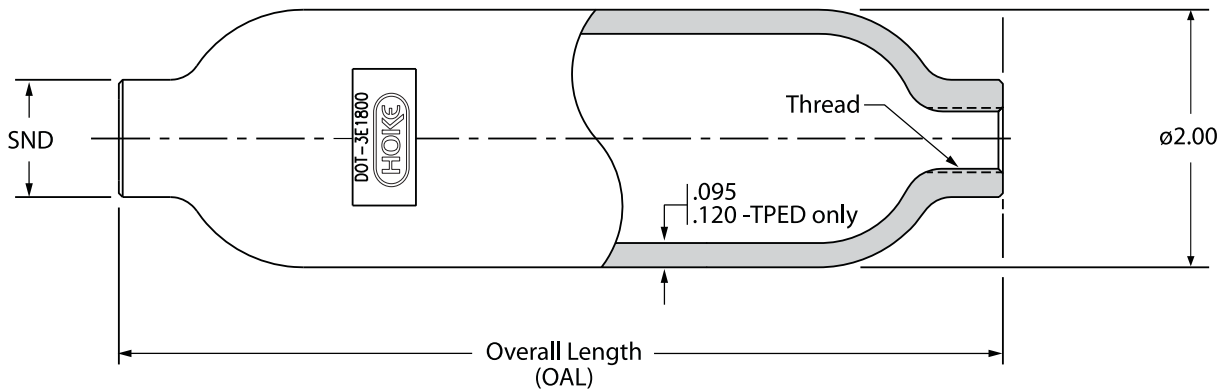
### Technical Data

PART NO.	MIN. VOLUME	MAX. WEIGHT	OVERALL LENGTH ±0.10" (±2.5mm)	'SND' ±0.02" (±0.5mm)	THREAD	OPERATING PRESSURE
* HS4HDY75	75 cc (4.6 in. <sup>3</sup> )	0.6 lbs. (0.3 kg)	4.88" (12.40 cm)	0.72" (1.83 cm)	¼-18 NPT	1800 psig (124 BAR)
HS4HDY150	150 cc (9.2 in. <sup>3</sup> )	1.0 lbs. (0.5 kg)	8.25" (20.96 cm)	0.72" (1.83 cm)	¼-18 NPT	1800 psig (124 BAR)

\* Not available as TPED - Approved

## Dimensions

### HOKE DOT 3E Sample Cylinder, 2.0" (5.08 cm)



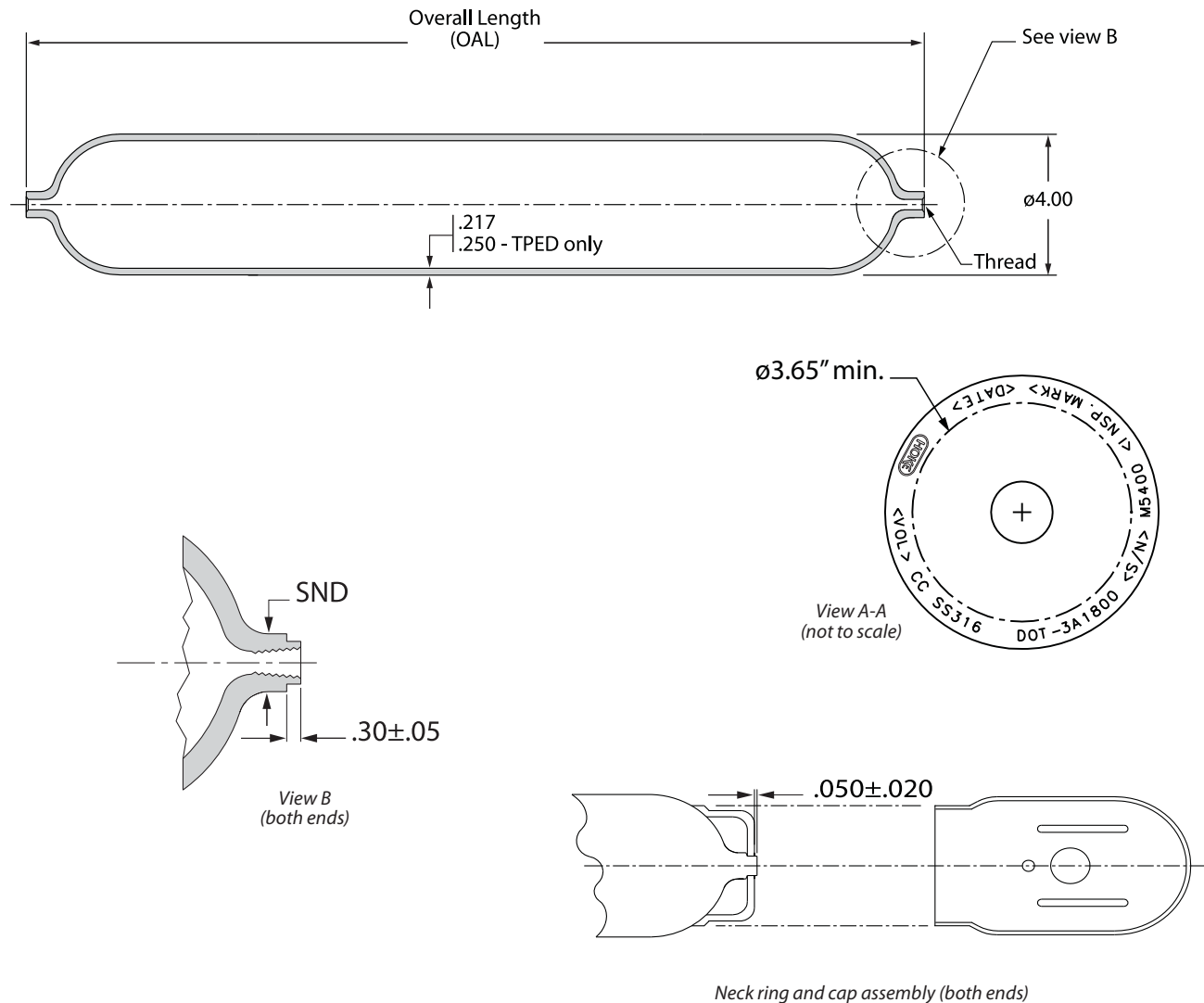
### Technical Data

PART NO.	MIN. VOLUME	MAX. WEIGHT	OVERALL LENGTH ±0.10" (±2.5mm)	'SND' ±0.02" (±0.5mm)	THREAD	OPERATING PRESSURE
HS4HDY300	300 cc (18.3 in. <sup>3</sup> )	1.8 lbs. (0.8 kg)	9.25" (23.5 cm)	0.74" (1.83 cm)	¼-18 NPT	1800 psig (124 BAR)
HS4HDY500	500 cc (30.5 in. <sup>3</sup> )	2.5 lbs. (1.1 kg)	13.88" (35.26 cm)	0.74" (1.83 cm)	¼-18 NPT	1800 psig (124 BAR)

# Spun Sampling Cylinders

## Dimensions

### HOKE DOT 3A Sample Cylinder, 4.0" (10.16 cm)



## Technical Data

PART NO.	MIN. VOLUME	MAX. WEIGHT	OVERALL LENGTH ±0.10" (±4mm)	'SND' ±0.02" (±0.5mm)	THREAD	OPERATING PRESSURE
HS4HDY1000	1000 cc (60.1 in. <sup>3</sup> )	7.5 lbs. (3.4 kg)	9.5" (24.13 cm)	1.0" (2.54 cm)	¼-18 NPT	1800 psig (124 BAR)
<sup>2</sup> HS8HDY1000	1000 cc (60.1 in. <sup>3</sup> )	7.5 lbs. (3.4 kg)	9.5" (24.13 cm)	1.2" (3.05 cm)	½-14 NPT	1800 psig (124 BAR)
<sup>1, 2</sup> HS8HDY2250	2250 cc (13.3 in. <sup>3</sup> )	12.9 lbs. (5.9 kg)	17.2" (43.69 cm)	1.2" (3.05 cm)	½-14 NPT	1800 psig (124 BAR)
<sup>1, 2</sup> HS8HDY1G	3785 cc (231.0 in. <sup>3</sup> )	20.6 lbs. (9.4 kg)	26.5" (67.31 cm)	1.2" (3.05 cm)	½-14 NPT	1800 psig (124 BAR)

<sup>1</sup> Neck ring and cap assembly are only available for and are standard on the 2250 cc and 3785 cc (1 gal.) cylinders

<sup>2</sup> Not available as TPEP - Approved

## For Your Safety

It is solely the responsibility of the system designer and user to select products suitable for their specific application requirements and to ensure proper installation, operation, and maintenance of these products. Material compatibility, product ratings and application details should be considered in the selection. Improper selection or use of products described herein can cause personal injury or property damage.

Teflon® is a registered trademark of the DuPont Company.

# Spun Sampling Cylinders

## How to Order

MIN. VOLUME	THREAD	STANDARD	TPED-APPROVED
75 cc (4.6in. <sup>3</sup> )	1/4-18 NPT	HS4HDY75	—
150 cc (9.2 in. <sup>3</sup> )	1/4-18 NPT	HS4HDY150	HS4HDY150-TPED
300 cc (18.3 in. <sup>3</sup> )	1/4-18 NPT	HS4HDY300	HS4HDY300-TPED
500 cc (30.5 in. <sup>3</sup> )	1/4-18 NPT	HS4HDY500	HS4HDY500-TPED
1000 cc (601 in. <sup>3</sup> )	1/4-18 NPT	HS4HDY1000	HS4HDY1000-TPED
1000 cc (601 in. <sup>3</sup> )	1/2-14 NPT	HS8HDY1000	—
2250 cc (13.3 in. <sup>3</sup> )	1/2-14 NPT	HS8HDY2250	—
3785 cc (231.0 in. <sup>3</sup> )	1/2-14 NPT	HS8HDY1G	—

## For Your Safety

It is solely the responsibility of the system designer and user to select products suitable for their specific application requirements and to ensure proper installation, operation, and maintenance of these products. Material compatibility, product ratings and application details should be considered in the selection. Improper selection or use of products described herein can cause personal injury or property damage.

*Grafoil® is a registered trademark of UCAR Carbon Company, Inc.  
GRAPH-LOCK® is a registered trademark of Garlock Sealing Technologies.  
Gyrolok® and Dyna-Pak® are registered trademarks of HOKE Incorporated.  
Monel® is a registered trademark of Special Metals Corporation.  
Viton® is a registered trademark of DuPont Dow Elastomers.*

[www.ucar.com](http://www.ucar.com)  
[www.garlock.com](http://www.garlock.com)  
[www.hoke.com](http://www.hoke.com)  
[www.specialmetals.com](http://www.specialmetals.com)  
[www.dupont-dow.com](http://www.dupont-dow.com)

## Notes

---

---

---

---

---

---

---

---

---

---

---

---

---

---

---

---

---

---

---

---

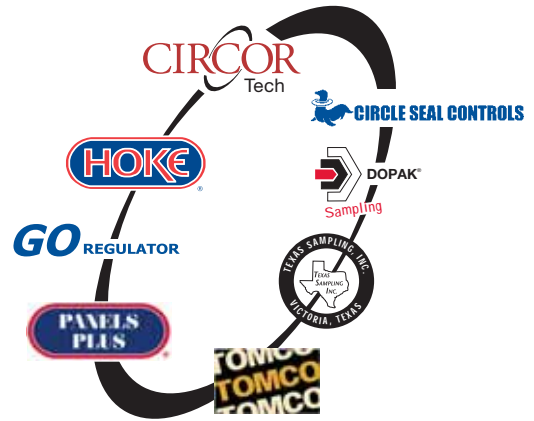
---

---

---

---

---



## Hoke • GO Regulator • Tomco • CIRCOR Tech

405 Centura Court • PO Box 4866 (29305)

Spartanburg, SC 29303

Tel (864) 574-7966 • Fax (864) 587-5608

[www.circortechnologies.com](http://www.circortechnologies.com)

## CIRCOR Instrumentation

Technologies

Central Europe

Leeuwenhoekweg 24

2661 CZ Bergschenhoek

The Netherlands

Tel +31 10 4206011 • Fax +31 10 4566774

[www.circortechnologies.com](http://www.circortechnologies.com)

## Hoke Controls / Panels Plus

2054 Francis St.

Ontario, CA 91761

Tel (909) 923-3770

Fax (909) 923-2550

[www.circor-panelsplus.com](http://www.circor-panelsplus.com)

## Texas Sampling, Inc

3706 Rio Grande

Victoria, Texas 77901

Tel (361) 575-8087

Fax (361) 575-8157

[www.texassampling.com](http://www.texassampling.com)

## CIRCOR Instrumentation, Ltd.

1-3 Bouverie Road

Harrow

Middlesex, HA1 4HB

UK

Tel +44 18 9520 6780

Fax +44 18 9520 6781

[www.circor.co.uk](http://www.circor.co.uk)

## Dopak Inc.

9572 Kempwood

Houston, Texas 77080

Tel (713) 460-8311

Fax (713) 460-8578

[www.dopak.com](http://www.dopak.com)

## Circle Seal Controls, Inc.

2301 Wardlow Circle

Corona, CA 92880

Tel (951) 270-6200

Fax (951) 270-6201

[www.circlesealcontrols.com](http://www.circlesealcontrols.com)

## Hoke GmbH

Weitzesweg 11

Postfach 1541

D-61118 Bad Vilbel-Dortelweil

Germany

Tel +49 6101 82 56 0

Fax +49 6101 82 56 40

[www.hoke.de](http://www.hoke.de)

## CIRCOR Instrumentation Technologies

CIRCOR Instrumentation Technologies (CIT) is a product group of CIRCOR International (NYSE: CIR), specializing in fluid process control solutions with orifice sizes typically up to 1". Our main product lines include ball, needle, packless, diaphragm, solenoid, and metering valves, pressure regulators, quick couplers, Gyrolok® compression tube fittings, and fully integrated sampling systems.

CIT markets primarily to the petrochemical, refining, power generation, food and beverage, semiconductor, and pharmaceutical industries, and to OEM's. CIT separates itself from the competition by offering highly engineered components manufactured to exacting standards and a variety of custom options.